

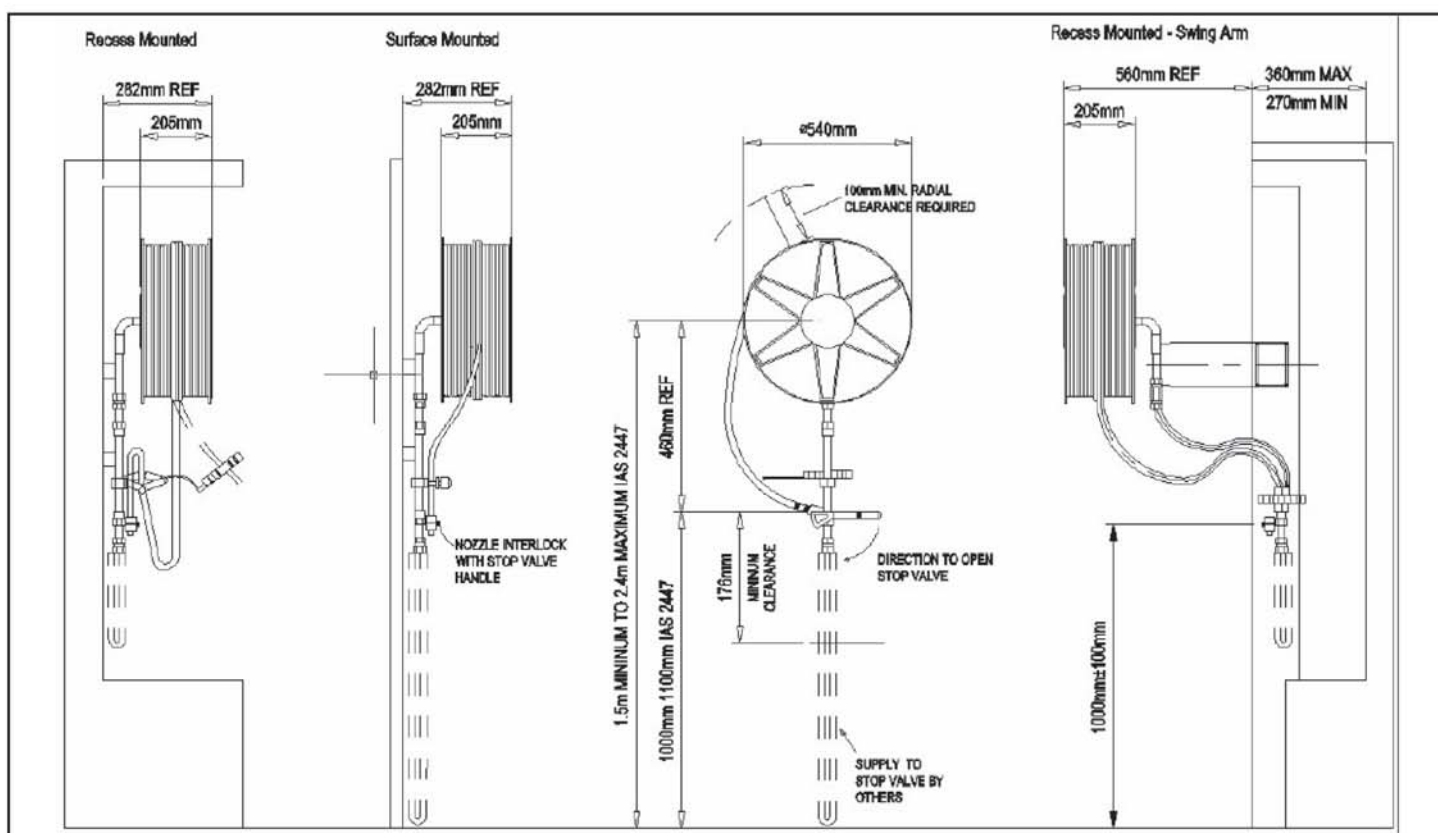


FEATURES

- One-year warranty from date of delivery
- Economically priced
- Simple operation and maintenance
- Meets or exceeds requirements of Australian standard AS1221

ORDERING INFORMATION

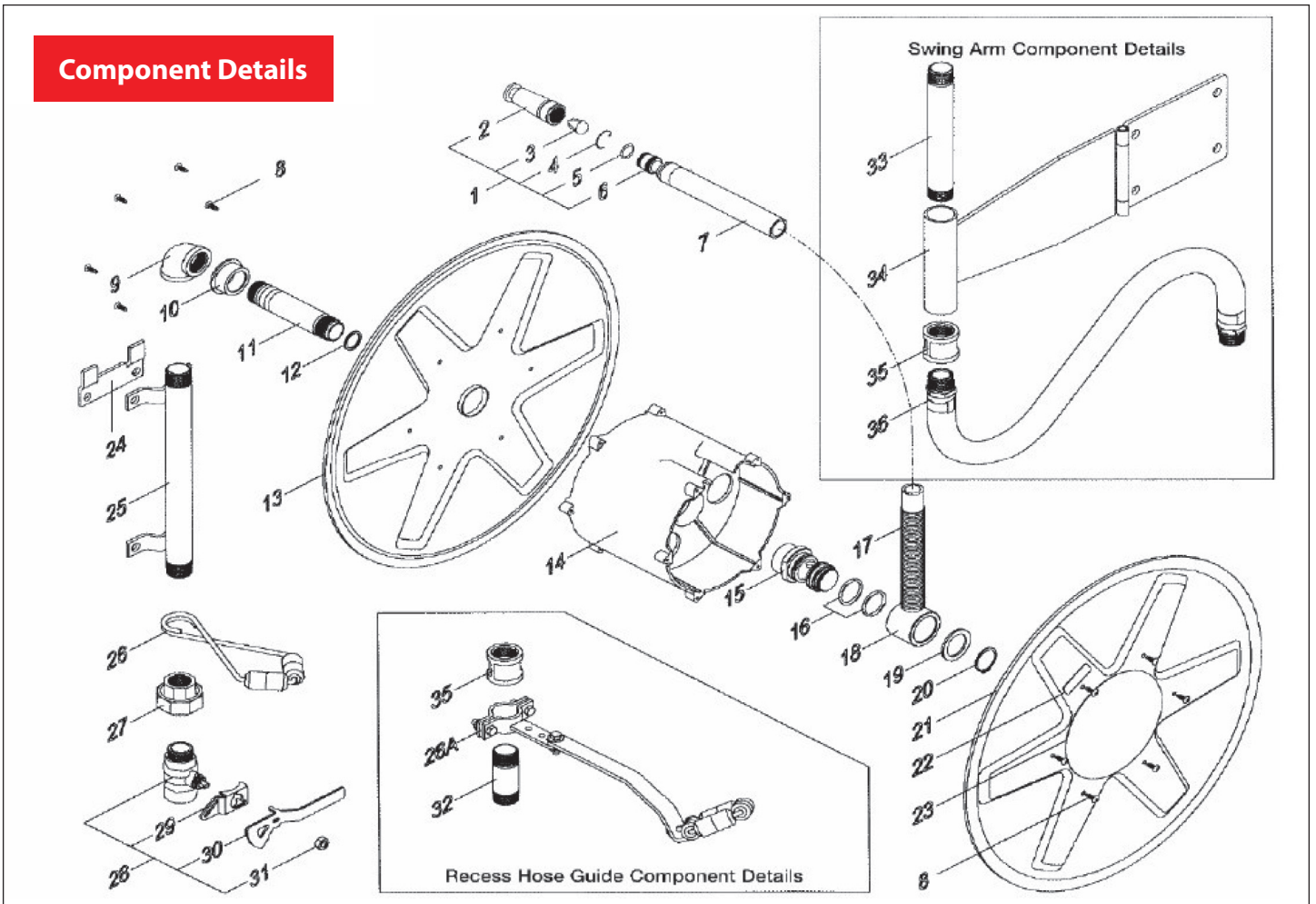
For the fire protection assistance, see your nearest authorised Tyco Fire Suppression & Building Products (TFS&BP) distributor or sales representative



SPECIFICATIONS

Item	Description	Item	Description
Model Number	92-482P	Support Assembly	Mild Steel, Galvanised
Part Number	F0001A	Hoseguide Assembly	Mild Steel, Zinc Plated
Standard Hose Length & Dia.	36 meters X 19mm Dia.	Union	Malleable Iron, Galvanised
Approvals	AS/NZS 1221	Ball Valve Assembly	Brass / Mild Steel Handles Zinc Plate / Gold Passivated
Minimum Inlet Pressure	220kPa	Nozzle Assembly	Brass
Maximum Working Pressure	1000kPa	Drum	Polypropylene Copolymer
Side Plates	Electro-Zinc Steel Sheet Shoving Enamel Red	Hose Spring	Galvanised Spring Steel
Gland	Acetal Copolymer	Tailpiece	Acetal Copolymer
Spindle	Mild Steel	Circlip	Steel-Zinc Plated
Bearing	Acetal Copolymer	Inlet Pivot Pipe	Galvanised Mild Steel Pipe
Elbow	Malleable Iron, Galvanised	Swing Arm Assembly	Mild Steel Stoving Enamel Road
Mounting Shoe	Mild Steel, Stoving Enamel Black		

Component Details



No.	Part No.	Description	No.	Part No.	Description
1	0243A	Nozzle Assembly	23	03534	Main Label
2	02432	Nozzle Outer	24	02426	Mounting Shoe
3	02851	Nozzle Insert	25	02404	Support Assembly
4	02440	Wire Nozzle Clip	26	02407	Hoseguide Assembly
5	02403	Nozzle 'O' Ring	27	02412	Union
6	02431	Nozzle Inner	28	02297	Ball Valve Assembly
7	02235	Hose Assembly Complete with Nozzle and Tailpiece Pressure/Leak tested	29	02299	Interlock Retainer
8	04232	Screw	30	02300	Interlock Handle
9	02411	Elbow	31	02307	Interlock Nut
10	02489	Bearing	32	02317	90mm Galv. 1" Nipple
11	02486	Spindle	33	02344	Inlet Pivot Pipe
12	02528	Gland Seal Washer	34	02351	Swing Arm Assembly
13	02488	Side Plate Inner	35	02385	Galv. Socket
14	02310	Drum	36	02347	Inlet Hose Assembly
15	02548	Gland Inner			
16	02527	Gland Seal Quad Rings			
17	02540	Hose Spring			
18	02549	Tailpiece			
19	02485	Retaining Washer			
20	02422	Circlip			
21	02417	Side Plate Outer			
22	02456	Hose Length Label			

Distributed By: